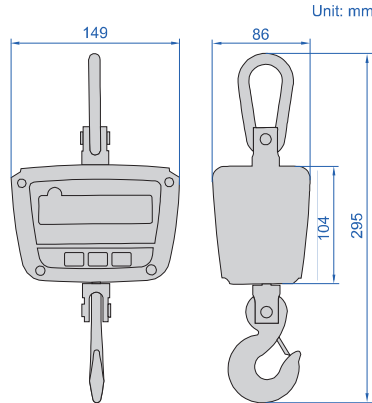


## DIRECT VIEW ELECTRONIC CRANE SCALES

**IP65**  
WATERPROOF

- Dust/waterproof level: IP65
- Aluminum alloy die casting case with high strength
- 360° safe rotary hook and shackle
- Zero-setting, weighing, subtracting tare value
- Remote control
- Overload alarm
- Automatic power off
- Unit: lb, kg



8201-150KG



Remote controller  
(included)

### SPECIFICATION

Code	8201-50KG	8201-150KG	8201-300KG
Weighing capacity	50kg	150kg	300kg
Minimal load	0.4kg	1.0kg	2.0kg
Readability (d)	0.02kg	0.05kg	0.1kg
Selectable resolution	0.01kg	0.02kg	0.05kg
Repeatability	±0.02kg	±0.05kg	±0.1kg
Linearity	±0.04kg	±0.1kg	±0.2kg
Stabilization time	8s		
Operating temperature	-10~40°C		
Operating humidity	30~90%RH		
Overload alarm	100%FS+9d		
Maximum safe load	125%FS		
Limited overload	400%FS		
Power supply	6V rechargeable Li-ion battery		
Dimension (L×W×H)	149×86×295mm		

### STANDARD DELIVERY

Main unit	1 pc
Remote controller	1 pc